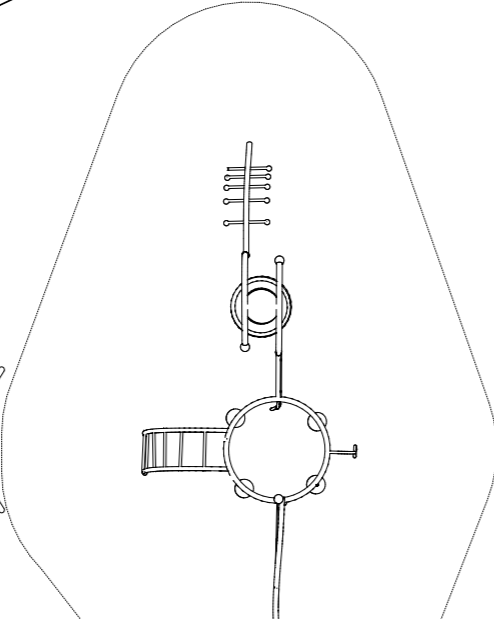
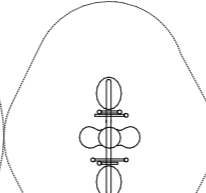


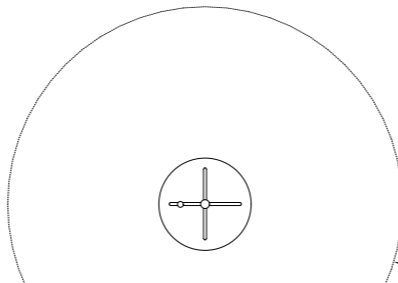
PARK - Lotus
cat. no. GM1615-T



ESKALO 6
cat. no. K706



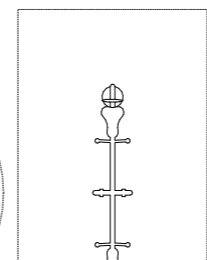
SIDENTA 2
cat. no. K422



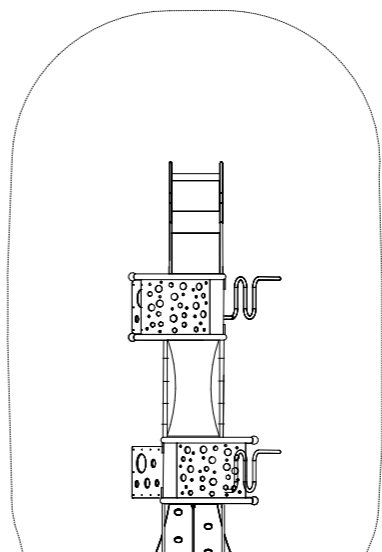
GLOBO
cat. no. 103



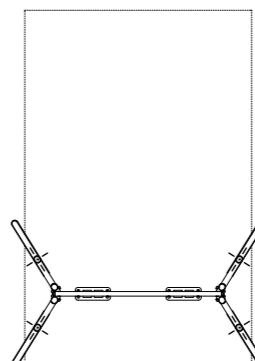
RINGO
cat. no. K441



BALANCILO 2
cat. no. 202



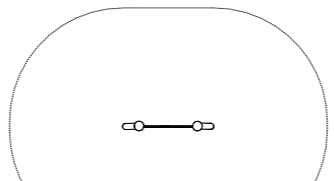
DOMETO 2-1
cat. no. K521



LAVENDER 1
cat. no. GM1602s-T



SEGO 2



EDITO 2
cat. no. K812



SEGO 2

1:100

3200

1600